

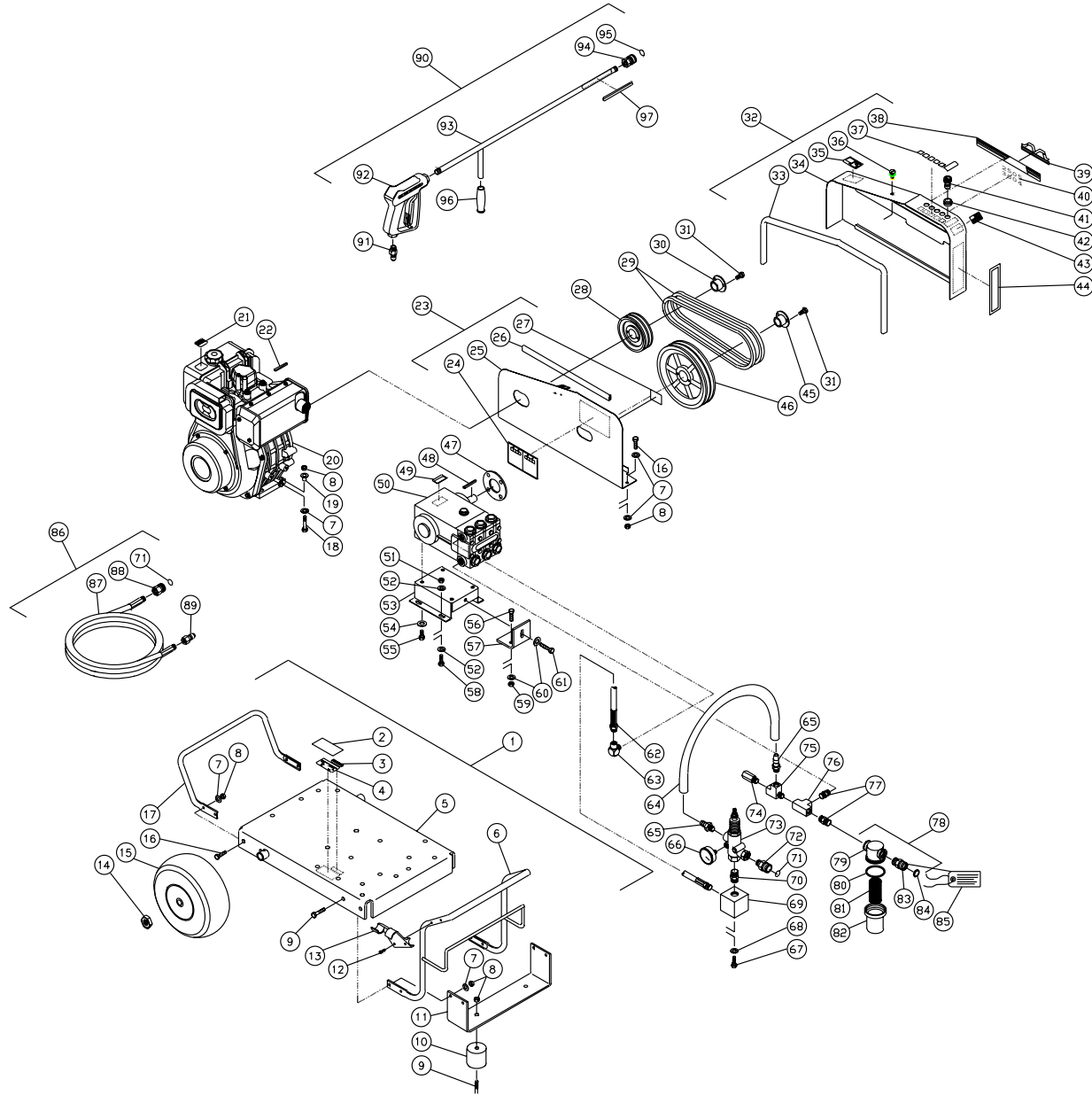
Mi-T-M[®] CORPORATION

8650 Enterprise Drive, Peosta IA 52068-0050
319-556-7484 / Fax 319-556-1235

CW-2505/3004-3MDY PARTS LIST

ENGINE OIL GRADE:	30W
ENGINE OIL CAPACITY:	28 oz.
PUMP OIL:	MI-T-M #AW-4085-0016
PUMP OIL CAPACITY:	40.6 oz.
NOZZLE SIZE FOR 2505:	5.5 mm
NOZZLE SIZE FOR 3004:	4.0 mm

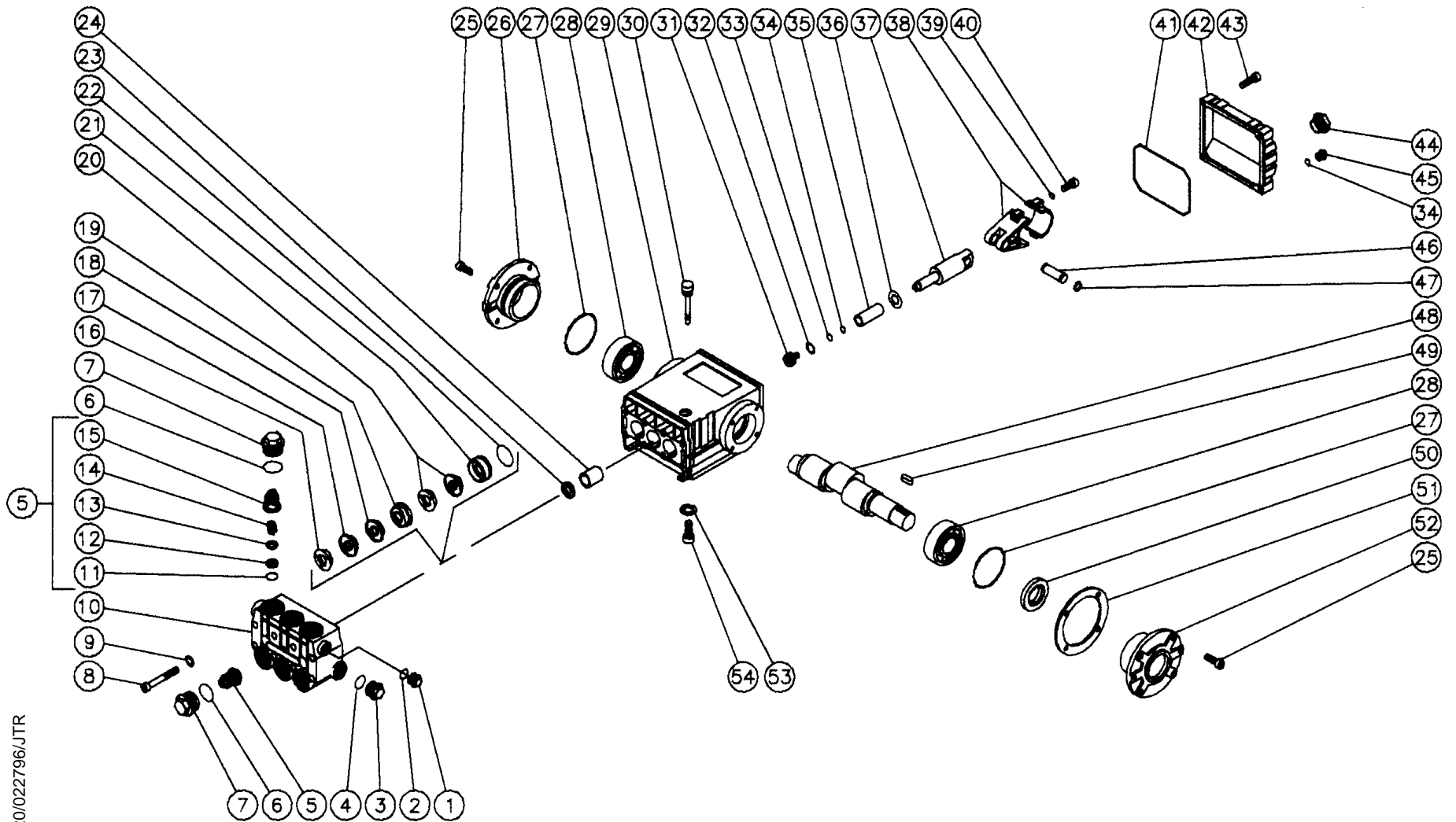
FRAME ASSEMBLY FOR CW-2505/3004-3MDY



OMCWU195/090496/JTR

FRAME ASSEMBLY FOR CW-2505/3004-3MDY											
REF. #	DESCRIPTION	PART #	QTY.	REF. #	DESCRIPTION	PART #	QTY.	REF. #	DESCRIPTION	PART #	QTY.
1	Base Plate Assembly (5-17)	851-0270	1	35	Decal-Warning: Muffler Hot	34-0130	1	63	Elbow	24-0105	1
2	Decal-Clear Laminate	34-0210	1	36	Fastener	33-0197	1	64	By-pass Hose	15-0035	1
3	Decal-Cold Water Serial Number	N/A	1	37	Nozzles	34-0500	1	65	Hose Barb	23-0007	2
4	Decal-I.D. Silver Sticker	34-0075	1	38	Decal-Mi-T-M Stripe	34-0501	1	66	Pressure Guage	22-0107	1
5	Base Plate	5-0117	1	39	Decal-Mi-T-M Logo	62-0086	1	67	Bolt	27-0116	2
6	Handle-Front	7-0101	1	40	Decal-White Die Cut 2505	34-0416	1	68	Washer	29-0008	2
7	Washer	28-0003	20	--	Decal-White Die Cut 3004	34-0105	1	69	Manifold Block	51-0012	1
8	Locknut	30-0157	18	41	Spray Nozzle for CW-2505-3MDY / 00055	18-0035	1	70	Hex Nipple	24-0031	1
9	Bolt	27-0068	6	--	Spray Nozzle for CW-2505-3MDY / 15055	18-0041	1	71	O-ring	25-0123	2
10	Isolator	14-0008	2	--	Spray Nozzle for CW-2505-3MDY / 25055	18-0062	1	72	Quick Connect Socket	17-0029	1
11	Underbracket	13-0042	1	--	Spray Nozzle for CW-2505-3MDY / 40055	18-0132	1	73	Unloader	8-0032	1
12	Screw	27-3062	2	41	Spray Nozzle for CW-3004-3MDY / 0004	18-0028	1	74	Heat Dump Valve	22-0005	1
13	Wand Holder	62-0085	1	--	Spray Nozzle for CW-3004-3MDY / 15004	18-0029	1	75	Tee	23-0124	1
14	Jamnut	30-0117	2	--	Spray Nozzle for CW-3004-3MDY / 2504	18-0030	1	76	Tee	23-0043	1
15	Wheel	14-0006	2	--	Spray Nozzle for CW-3004-3MDY / 4004	18-0031	1	77	Hex Nipple	23-0012	2
16	Bolt	27-0067	8	42	Grommet	33-0001	5	78	Strainer (79-84)	19-0057	1
17	Handle-Rear	7-0104	1	43	Decal-American Flag	34-0521	1	79	Strainer Cap	19-0058	1
18	Bolt	27-0070	4	44	Decal-Operating Instructions	34-0499	1	80	Strainer Gasket	26-0160	1
19	Shim-Engine	33-0169	4	45	Bushing	9-0017	1	81	Strainer Steel Screen	19-0059	1
20	Engine 9.0 HP	1-0084	1	46	Sheave	10-0040	1	82	Strainer Bowl	19-0060	1
21	Decal-Caution: Allow to Cool	34-0588	1	47	Isolator	33-0202	1	83	Garden Hose Swivel	23-0095	1
22	Key	43-0078	1	48	Key	43-0028	1	84	Garden Hose Gasket	26-0001	1
23	Beltguard Back Assy. (24-27)	851-0271	1	49	Decal-Pump ID	34-0396	1	85	Tag-Water Supply Inlet	34-0097	1
24	Decal-Caution/Warning	34-0498	1	50	Pump	3-0079	1	86	High Pressure Hose Assy. (87-89)	851-0007	1
25	Beltguard Back (See 851-0271) (Ref #23)	N/A Sep.	1	51	Locknut	30-0161	4	87	High Pressure Hose (3/8 x 50")	15-0003	1
26	Edging *(2 feet required)	33-0020	1	52	Washer	28-0030	8	88	Quick Connect Socket	17-0004	1
27	Decal-Beltguard Cover	34-0575	1	53	Pump Bracket	5-0101	1	89	Quick Connect Plug	17-0006	1
28	Sheave: CW-2505-3MDY	10-0067	1	54	Washer	29-0055	4	90	Gun/Wand Assembly (91-94, 96)	851-0095	1
	Sheave: CW-3004-3MDY	10-0029	1	55	Bolt	27-8471	4	91	Quick Connect Plug	17-0005	1
29	Belt: CW-2505-3MDY	11-0011	2	56	Bolt	27-0118	2	92	Gun	16-0001	1
	Belt: CW-3004-3MDY	11-0036	2	57	Brace Tightener	13-0003	1	93	Wand	16-0120	1
30	Bushing	9-0005	1	58	Bolt	27-0166	4	94	Quick Connect Socket	17-0001	1
31	Bolt	27-0015	1	59	Locknut	30-0159	2	95	O-ring	25-0122	1
32	Beltguard Cover Assembly (33-39, 42-44)	851-0216	1	60	Washer	28-0023	3	96	Handle Grip	7-0002	1
33	Edging *(4 feet required)	33-0020	1	61	Bolt	27-0576	1	97	Decal-Warning: Risk of Injection	34-0572	1
34	Beltguard Cover (See 851-0216) (Ref #32)	N/A Sep.	1	62	Hose	15-0024	1		*Must order in one foot lengths		

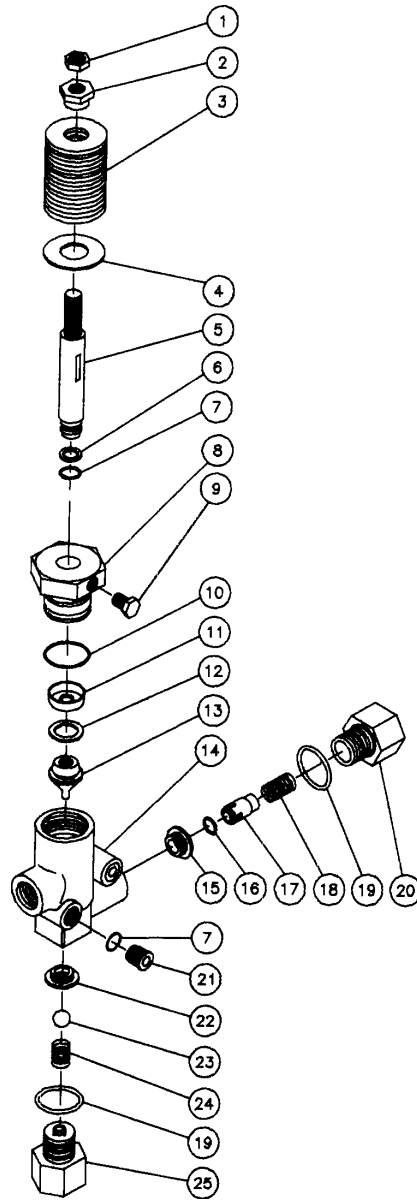
PUMP ASSEMBLY (3-0079) FOR CW-2505/3004-3MDY



OMPMP020/0222796/JTR

PUMP ASSEMBLY (3-0079)								
REF. #	DESCRIPTION	PART #	QTY.		REF. #	DESCRIPTION	PART #	QTY.
1	Hex Plug	39-0018	1		30	Oil Dipstick	46-0144	1
2	Washer	28-0600	1		31	Piston Bolt	46-0069	3
3	Hex Plug	39-0019	1		32	Washer	28-0400	3
4	Washer	28-0601	1		33	O-ring	25-0014	4
5	Valve Assy. (11-15) (See 70-0009)	N/A	6		34	Back-up Ring	46-0109	3
6	O-ring	25-0012	6		35	Plunger	46-0052	3
7	Valve Plug	39-0020	6		36	Flinger Washer	46-0146	3
8	Bolt	27-8185	8		37	Piston Rod	46-0054	3
9	Lockwasher	28-0210	8		38	Connecting Rod	46-0051	3
10	Pump Manifold - Brass 20mm	46-0060	1		39	Lockerwasher	29-0154	6
11	O-ring (See 70-0009)	N/A Sep.	6		40	Bolt	27-8435	6
12	Valve Seat (See 70-0009)	N/A Sep.	6		41	O-ring Cover -Old Style	25-0079	1
13	Valve Plate (See 70-0009)	N/A Sep.	6		--	O-ring Cover - New Style	25-0339	1
14	Valve Spring (See 70-0009)	N/A Sep.	6		42	Crankcase Cover - Old Style	46-0065	1
15	Valve Cage (See 70-0009)	N/A Sep.	6		--	Crankcase Cover - New Style	46-0295	1
16	Head Ring (See 852-0122)	N/A Sep.	6		43	Bolt	27-8404	5
17	Head Ring (See 852-0122)	N/A Sep.	6		44	Oil Level Indicator	46-0114	1
18	Stop Ring Packing (See 852-0122)	N/A Sep.	6		45	Hex Plug	39-0017	1
19	Intermediate Ring	46-0659	3		46	Connecting Rod Pin	43-0032	3
20	Seal (See 852-0122)	N/A Sep.	3		47	Retaining ring	46-0103	6
21	Seal Retainer	46-0057	3		48	Crankshaft	46-0050	1
22	O-ring	25-0015	3		49	Key	43-0048	1
23	Oil Seal	26-0047	3		50	Oil Seal	26-0049	1
24	Bushing	9-0029	3		51	Shim	46-0113	2
25	Bolt	27-8431	8		52	Crankcase Cover-Open	46-0296	1
26	Crankcase Cover-Closed	46-0336	1		53	Lockwasher	29-0055	4
27	O-ring	25-0013	2		54	Bolt	27-8471	4
28	Roller Bearing	48-0012	2			Valve Kit (6 each of 11-15)	70-0009	
29	Crankcase	46-0047	1			Packing Kit (3 each of 16, 17, 18, 20, 22)	852-0122	

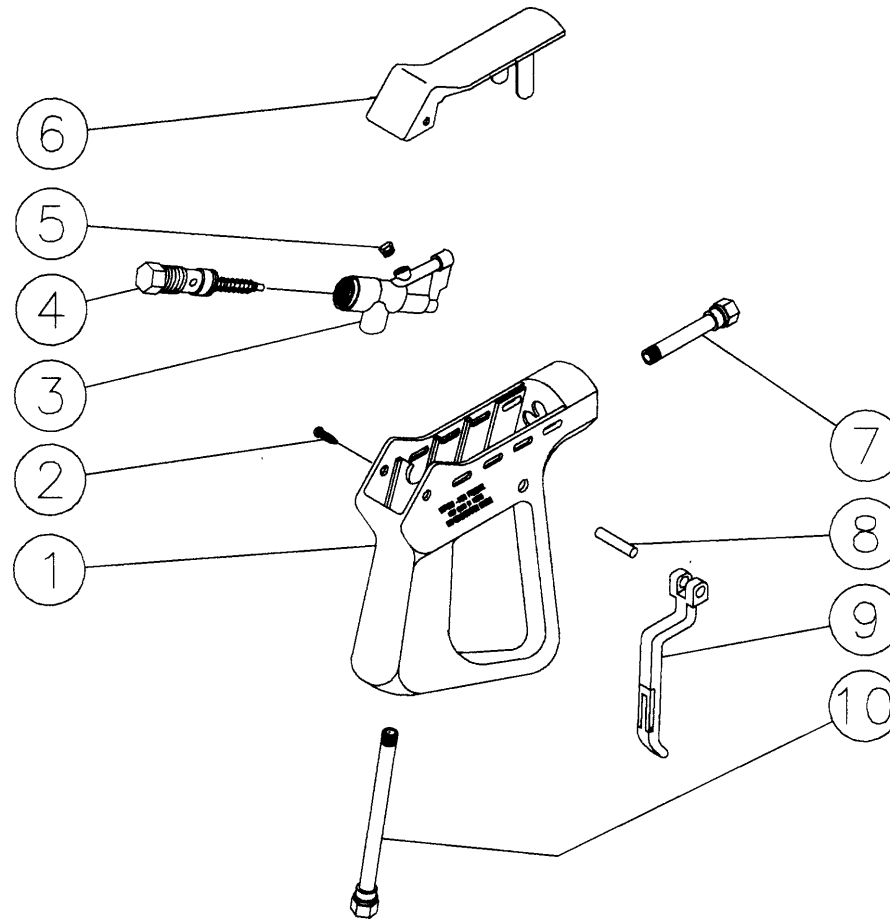
UNLOADER ASSEMBLY (8-0032) FOR CW-2505/3004-3MDY



OMGEN074/083094/BAR

UNLOADER ASSEMBLY (8-0032)			
REF.#	DESCRIPTION	PART #	QTY.
1	Locknut	30-3058	1
2	Adjusting Nut	8-0089	1
3	Spring Washers	8-0009	15
4	Washer	28-0250	1
5	Valve Stem	8-0037	1
6	Back-up Ring	8-0038	1
7	O-ring	25-0009	5
8	Valve Cap	8-0036	1
9	Set Screw	8-0084	1
10	O-ring	25-0008	1
11	Cup	8-0034	1
12	Back-up Ring	8-0040	1
13	Piston	8-0039	1
14	Valve Body	8-0164	1
15	Outlet Seat	8-0006	1
16	O-ring	25-0011	1
17	Outlet Valve	8-0004	1
18	Spring	49-0016	1
19	O-ring	25-0010	2
20	Outlet Retainer	8-0003	1
21	Brass Plug	8-0011	4
22	Valve Seat	8-0005	1
23	Brass Ball	8-0041	1
24	Spring	49-0015	1
25	Inlet Retainer	8-0165	1
	Unloader Repair Kit (Inc. 6, 7, 10-12, 16 and 19)	70-0044	

GUN ASSEMBLY (16-0001) FOR CW-2505/3004-3MDY



GUN ASSEMBLY (16-0001)			
Ref. #	Description	Part #	Qty.
1	Plastic Housing	16-0008	1
2	Screw	27-3230	2
3	Brass Housing	16-0012	1
4	Gun Repair Kit	70-0055	1
5	Brass Plug	39-0024	1
6	Plastic Cover	16-0009	1
7	Pipe Assembly	16-0013	1
8	Trigger Pin	16-0063	1
9	Trigger Safety Lock-off	16-0010	1
10	Pipe Assembly-Inlet	16-0016	1
	Gun Assembly Complete	16-0001	1

NOTES

NOTES

